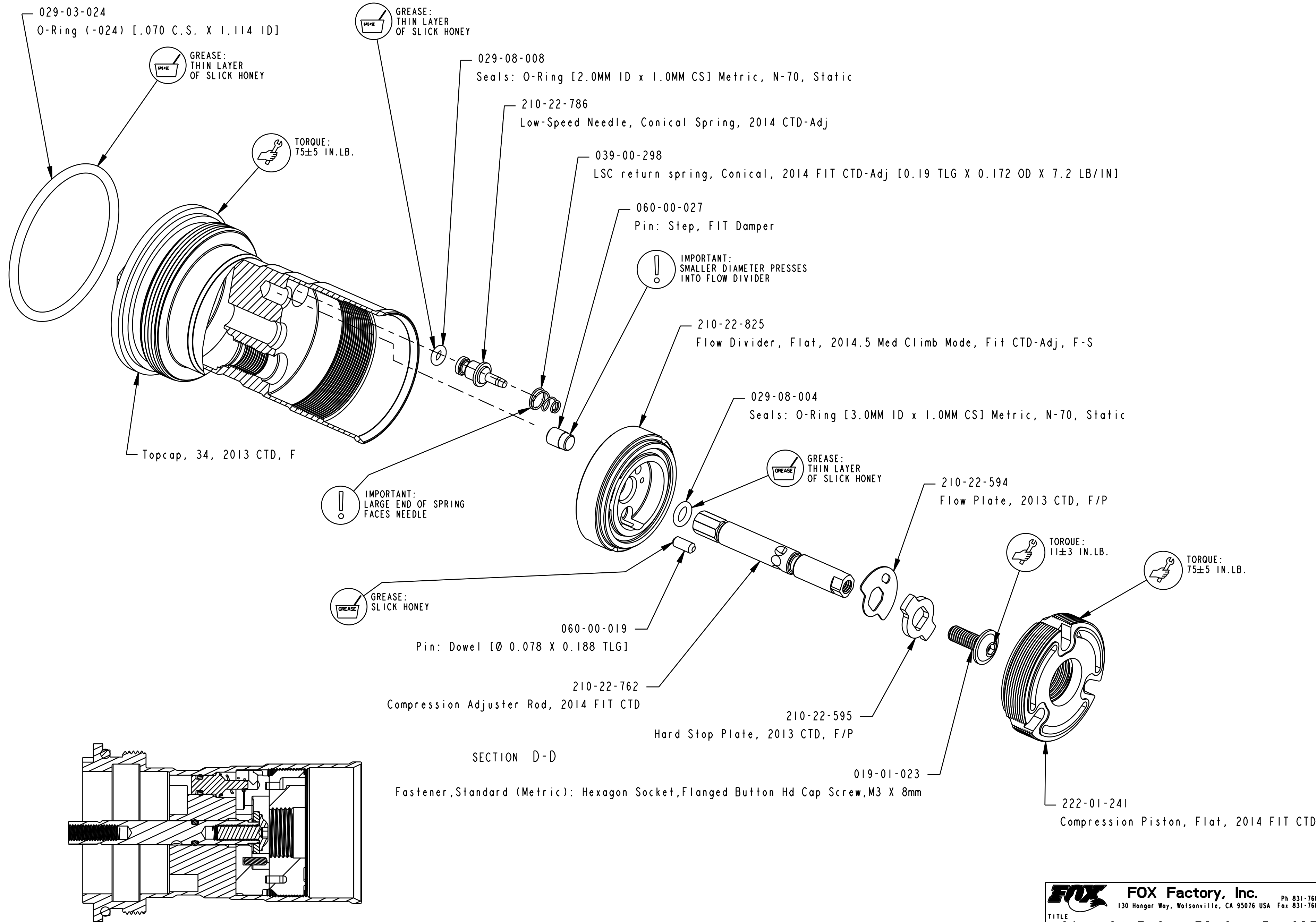


4

3

2

1



D

D

C

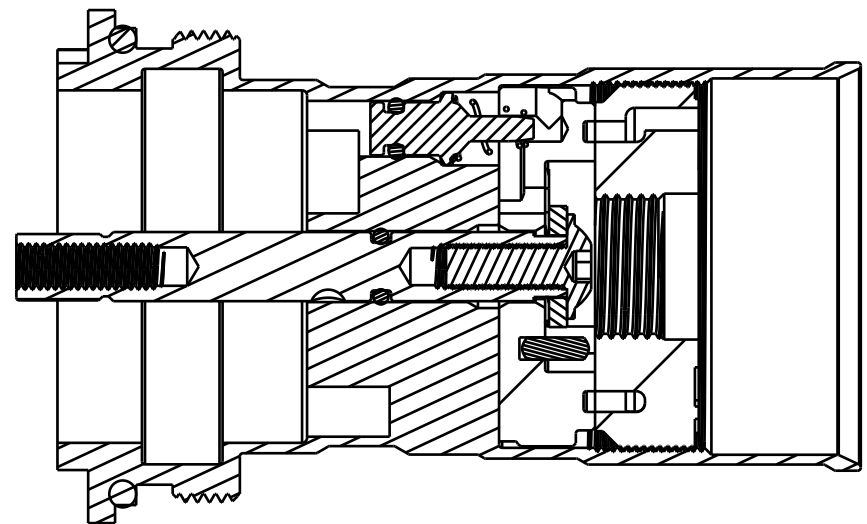
C

B

B

A

A



SECTION C-C

SECTION D-D

- PROPRIETARY -  
THIS DOCUMENT CONTAINS CONFIDENTIAL, PROPRIETARY INFORMATION  
THAT IS FOX PROPERTY. DO NOT DISCLOSE TO OR DUPLICATE  
FOR OTHERS EXCEPT AS AUTHORIZED BY FOX.

**FOX** **FOX Factory, Inc.** Ph 831-768-1100  
130 Hangar Way, Watsonville, CA 95076 USA Fax 831-768-9312

TITLE  
**2014 34 F-S, MED CLIMB MODE,  
CTD-Adj, TOPCAP ASSY**

SIZE DWG. NO.  
**C 820-05-285-KIT**

PLOT SCALE 2.00:1 SHEET 1 OF 1

4

3

2

1